



Installation and Maintenance Guide

Oras Oramix

Water Is Worth Loving.


7242


EN 1111

II (ISO 3822)

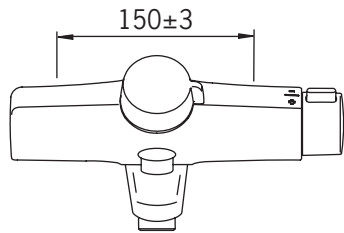
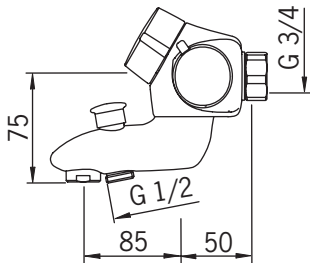
150 - 1000 kPa

0.25 l/s (300 kPa)

245 kPa (0.2 l/s) 

430 kPa (0.3 l/s) 

max. +80°C



7261

EN 1111

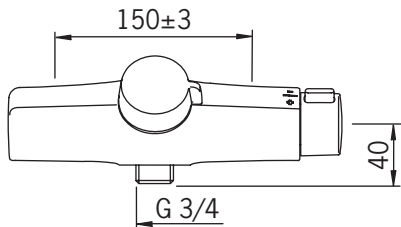
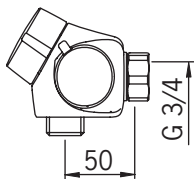
II (ISO 3822)

150 - 1000 kPa

0.23 l/s (300 kPa)

220 kPa (0.2 l/s) 

max. +80°C



7263

EN 1111

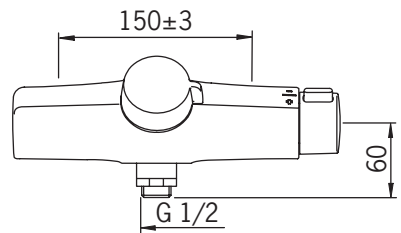
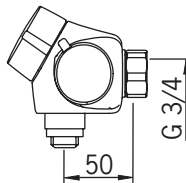
II (ISO 3822)

150 - 1000 kPa

0.23 l/s (300 kPa)

220 kPa (0.2 l/s)

max. +80°C



7276

EN 1111

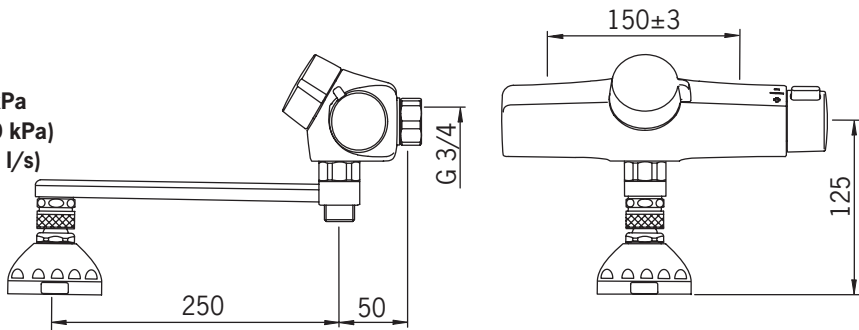
I (ISO 3822)

150 - 1000 kPa

0.15 l/s (300 kPa)

133 kPa (0.1 l/s)

max. +80°C



STF YM18/6221/2005

7280

EN 1111

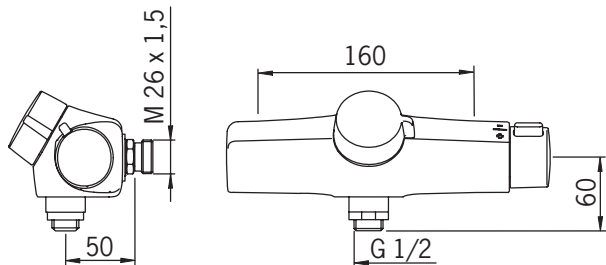
II (ISO 3822) Oras lab.

150 - 1000 kPa

0.23 l/s (300 kPa)

220 kPa (0.2 l/s)

max. +80°C



7281

EN 1111

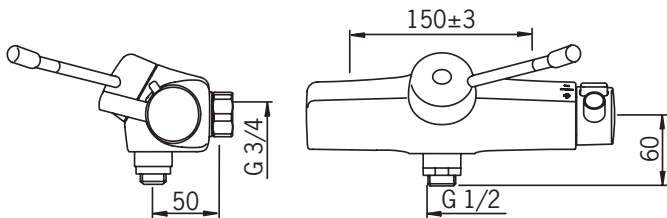
II (ISO 3822) Oras lab.

150 - 1000 kPa

0.2 l/s (300 kPa)

300 kPa (0.2 l/s)

max. +80°C




7282


EN 1111

II (ISO 3822)

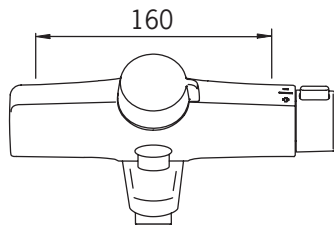
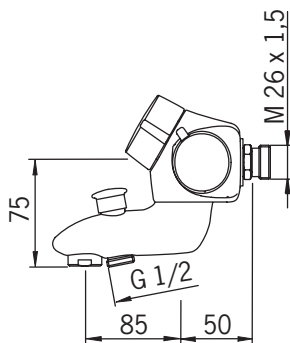
150 - 1000 kPa

0.25 l/s (300 kPa)

245 kPa (0.2 l/s) 

430 kPa (0.3 l/s) 

max. +80°C



7284

EN 1111

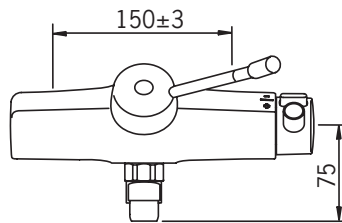
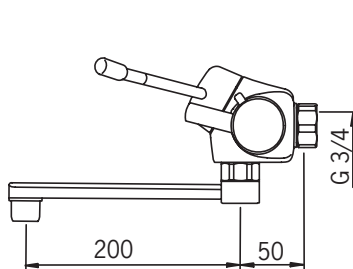
II (ISO 3822) Oras lab.

150 - 1000 kPa

0.17 l/s (300 kPa)

105 kPa (0.1 l/s)

max. +80°C



7290

EN 1111

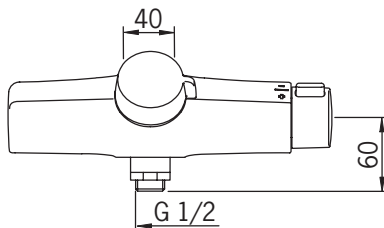
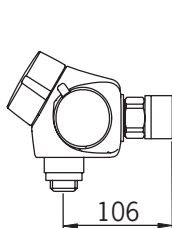
II (ISO 3822)

150 - 1000 kPa

0.23 l/s (300 kPa)

230 kPa (0.2 l/s)

max. +80°C



7292

EN 1111

II (ISO 3822)

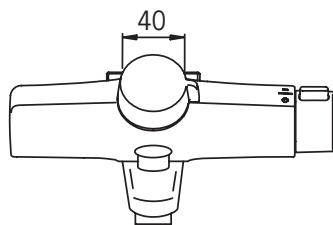
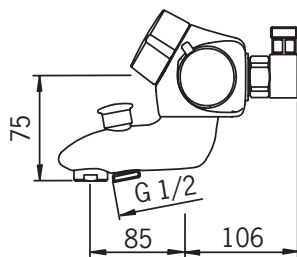
150 - 1000 kPa

0.24 l/s (300 kPa)

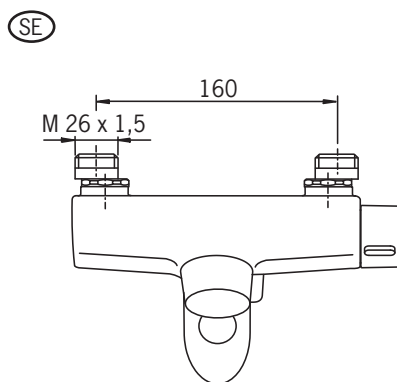
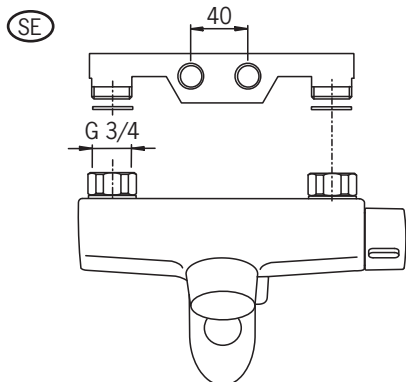
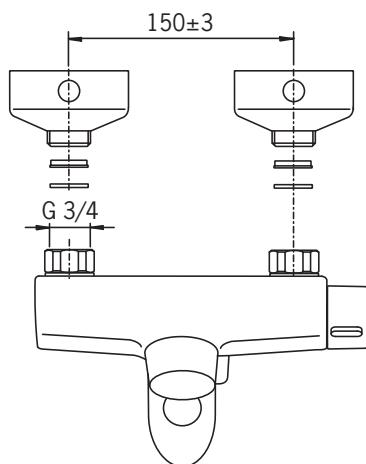
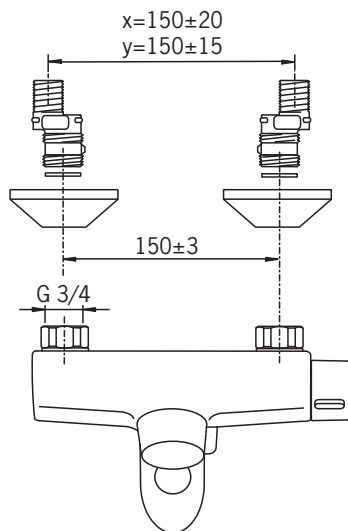
250 kPa (0.2 l/s)

450 kPa (0.3 l/s)

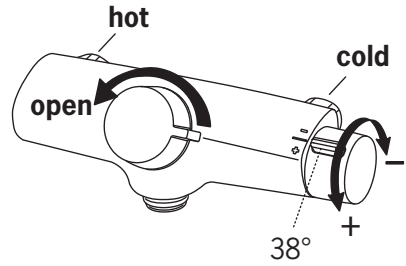
max. +80°C



- Ⓛ DE **Montage**
- Ⓛ GB **Installation**
- Ⓛ DK **Installation**
- Ⓛ ES **Montaje**
- Ⓛ EE **Paigaldus**
- Ⓛ FI **Asennus**
- Ⓛ NL **Installatie**
- Ⓛ FR **Installation**
- Ⓛ IT **Montaggio**
- Ⓛ LV **Montāža**
- Ⓛ LT **Montavimas**
- Ⓛ NO **Montering**
- Ⓛ PL **Instalacja**
- Ⓛ RU **Установка**
- Ⓛ SE **Installation**
- Ⓛ SK **Inštalácia**
- Ⓛ CZ **Montáž**

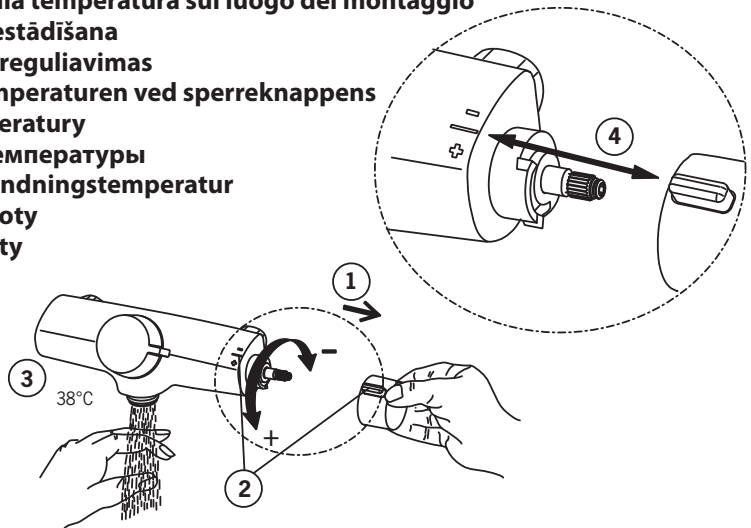


- (DE) Funktion
- (GB) Operation
- (DK) Betjening
- (ES) Servicio
- (EE) Toimimine
- (FI) Toiminta
- (NL) Bediening
- (FR) Utilisation
- (IT) Funzionamento
- (LV) Darbības princips
- (LT) Veikimo principas
- (NO) Funksjon
- (PL) Działanie
- (RU) Принцип действия
- (SE) Funktion
- (SK) Prevádzka
- (CZ) Funkce



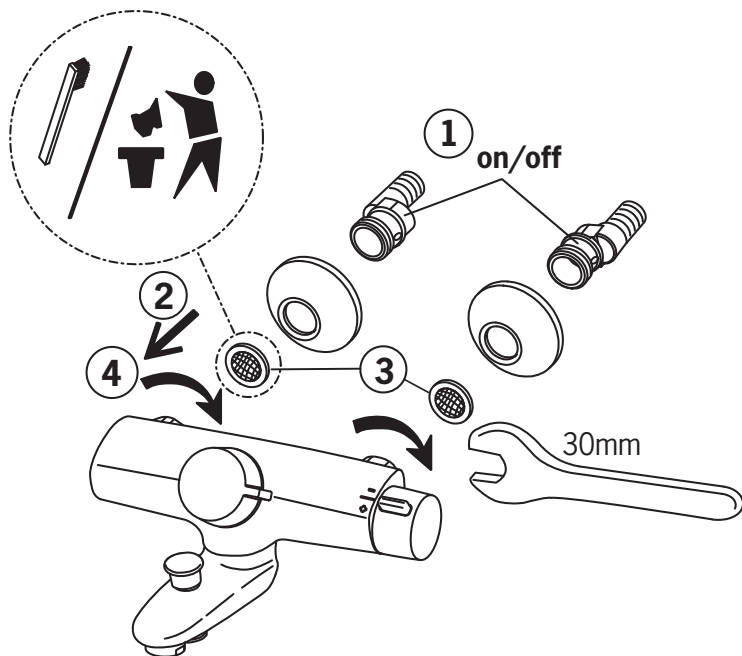
SERVICE 1

- (DE) Temperatureinstellung am Montageort
- (GB) Temperature adjustment
- (DK) Justering af temperaturen på installationsstedet
- (ES) Ajuste de la temperatura en el lugar de montaje
- (EE) Temperatuuri seadmine vajadusel
- (FI) Lämpötilan säätö tarvittaessa
- (NL) Temperatuursinstelling
- (FR) Limitation de la température
- (IT) Regolazione della temperatura sul luogo del montaggio
- (LV) Temperatūras iestādišana
- (LT) Temperatūros reguliavimas
- (NO) Justering av temperaturen ved sperreknappens
- (PL) Regulacja temperatury
- (RU) Регулировка температуры
- (SE) Justering av blandningstemperatur
- (SK) Nastavenie teploty
- (CZ) Regulátor teploty



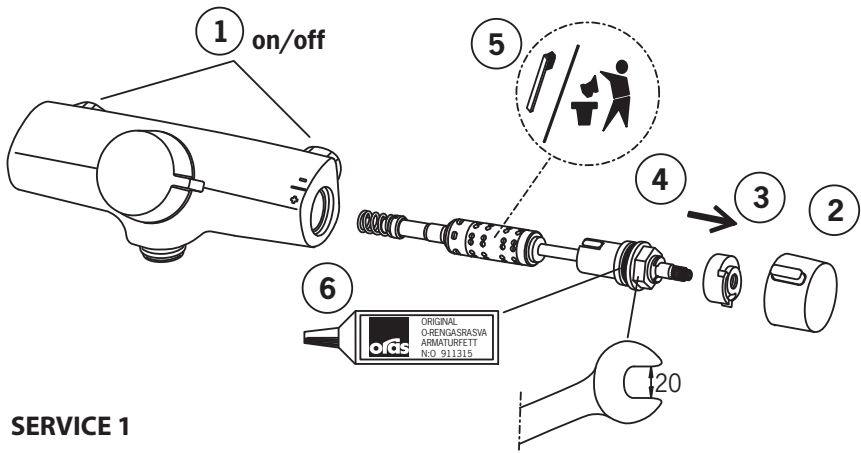
SERVICE 2

- DE **Reinigung/Wechsel der Filter**
- GB **Cleaning/changing the litter filters**
- DK **Rensning/udskiftning af filtre**
- ES **Limpieza/cambio de los filtros**
- EE **Prügipüüdurü puhastamine/vahetamine**
- FI **Roskasiivilöiden puhdistaminen/vaihtaminen**
- NL **Reinigen/veranderen van de filters**
- FR **Nettoyage/changement des filtres**
- IT **Pulizia/sostituzione dei filtri**
- LV **Dubļu filtru tirišana/maiņa**
- LT **Filtrų valymas ar pakeitimas**
- NO **Rensing/bytting av filter**
- PL **Czyszczenie/wymiana filtra**
- RU **Очистка и замена уплотнительных фильтров**
- SE **Rengöring/byte av smutsfilter**
- SK **Čistenie/výmena odpadových filtrov**
- CZ **Čištění/Výměna filtrů**



SERVICE 3

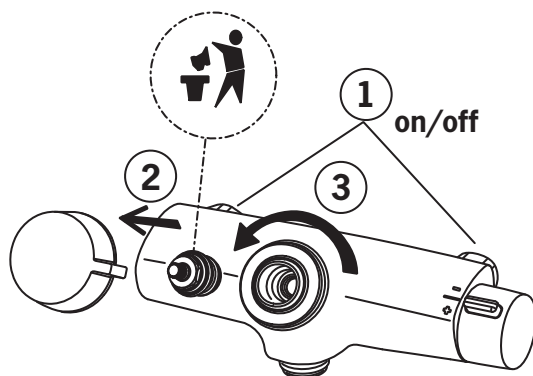
- ⓁⒺ Ein- und Ausbau der Kartusche
- ⓁⒸ To change the cartridge
- ⓁⒻ Udskiftning af reguleringskassette (unit)
- ⓁⒺ Montaje del cartucho
- ⓁⒺ Seadeosa vahetus
- ⓁⒻ Säättöosan vaihto
- ⓁⒽ Vervangen van het binnenwerk
- ⓁⒻ Montage et démontage de la cartouche
- ⓁⒽ Montaggio della cartuccia
- ⓁⒻ Temperatūras regulēšanas kasetnes tīrīšana/maiņa
- ⓁⒽ Valdanciosios kasetės pakeitimas
- ⓁⒽ Bytting av kassett
- ⓁⒽ Wymiana modułu sterującego
- ⓁⒽ Замена регулировочного блока
- ⓁⒽ Byte av kassett
- ⓁⒽ Výmena kartuše
- ⓁⒽ Výměna kartuše



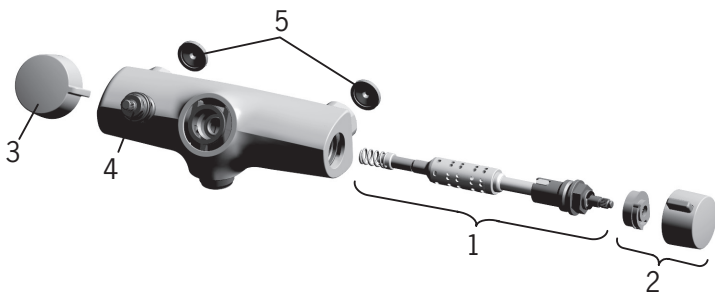
7 SERVICE 1

SERVICE 4

- (DE) Auswechseln der keramischen Oberteile
- (GB) Changing the operating valve
- (DK) Udskiftning af topstykker
- (ES) Recambio del cartucho del monoblock
- (EE) Seadeventiili vahetus
- (FI) Käyttöventtiilin vaihto
- (NL) Vervangen van de werkingsklep
- (FR) Changement de la tete ceramique eau chaude ou eau froide du grand bec
- (IT) Sostituzione dei vitoni in ceramica
- (LV) Ūdens plūsmas ventija maiņa
- (LT) Vandens srauto reguliavimo ventilio pakeitimas
- (NO) Bytting av overdel
- (PL) Wymiana zaworu regulacyjnego
- (RU) Замена узла управления потоком воды
- (SE) Byte av kranöverdel
- (SK) Výmena prevádzkového ventilu
- (CZ) Výměna pracovního ventilu



DE	Ersatzteile	7242, 7248, 7261, 7263, 7276,
GB	Spare parts	7280, 7281, 7282, 7284, 7290,
DK	Reserve dele	7292
ES	Piezas de recambio	1 169940V
EE	Varuosad	2 169945V
FI	Varaosat	3 169946V
NL	Reserve-onderdelen	4 109390
FR	Pièces détachées	5 198292/2
IT	Pezzi di ricambio	(5) 198094/2 (160 cc)
LV	Rezerves daļas	
LT	Atsarginės dalys	
NO	Reservedeler	
PL	Części zamienne	
RU	Запасные части	
SE	Reservdelar	
SK	Náhradné diely	
CZ	Náhradní díly	



Oras develops, manufactures and markets user-friendly and innovative faucet systems and the related valves and modules. The design and technical solutions of our products are driven by user-friendliness. Oras is the Nordic market leader and one of the Europe's largest manufacturers of faucets. The Oras Group has production facilities in Finland, Poland, and Norway. A large and versatile collection and alternatives for different purposes enable you to find the right faucet for every purpose. For the further details please apply to Oras web site at www.oras.com

Det Norske Veritas Certification OY/AB certifies that the Quality Management System of Oras Oy in Rauma Finland, conforms to the ISO 9001:2000 and the Environmental Management System to the ISO 14001:2004 standard. The certificates are valid for development, manufacture, marketing, sales and after sales services of faucets, accessories and valves.

Det Norske Veritas Certification OY/AB has granted Oras Oy an Occupational Health and Safety Certificate for compliance with the OHSAS 18001 standard.

The TÜV CERT Certification Body of TÜV NORD Zertifizierungs- und Umweltgutachter Gesellschaft mbH certifies that Oras Olesno Sp. z o.o. in Olesno Poland has established and applies Quality and Environmental Management System for manufacture, storage, marketing, sales and after sales services of faucets, valves and accessories. Proof has been provided that the requirements according to ISO 9001:2000 and ISO 14001:2004 are fulfilled.



ORAS GROUP

Isometsäntie 2, P.O. Box 40
FI-26101 Rauma
Finland
Tel. +358 2 83 161
Fax +358 2 831 6300
Info.Finland@oras.com



www.oras.com

945460/10/10